



Fig. 47  
Bronze - Swing Pattern

**FEATURES & BENEFITS**

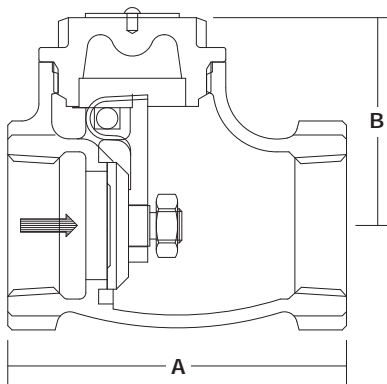
- Horizontal swing pattern
- Robust and high quality bronze body
- Metal to metal seat for enhance sealing
- Taper threaded to BS EN 10226 ISO 7-1 (BS 21)



**MATERIAL SPECIFICATION**

Component	Material	Specification	
		BS EN	ASTM
Cap	Bronze	1982 CC491K	B62 C83600
Hinge Pin	Stainless Steel	10088-1 X2 CrNiNo17-12-2	A276-316L
Hinge	Stainless Steel	970 GR316S11	-
Disc Nut	Brass	12164 CW614N	B455 C38500
Body	Bronze	1982 CC491K	B62 C83600
Hinge	Bronze	1982 CC491K	B62 C83600
Disc	Brass	12164 CW614N	B455 C38500
Disc (1 <sup>1</sup> / <sub>4</sub> " - 3")	Bronze	1982 CC491K	B62 C83600

**DIMENSIONAL DRAWING**



**DIMENSIONS & WEIGHTS**

Nom Size	in	1/4	3/8	1/2	3/4	1	1 1/4	1 1/2	2	2 1/2	3
A	mm	48	48	58	66	80	89	95	108	155	190
B	mm	33	33	38	42	49	56	65	76	98	99
Weight	kg	0.20	0.19	0.32	0.43	0.61	1.01	1.34	2.12	4.08	5.76

**PRESSURE/  
TEMPERATURE RATING**

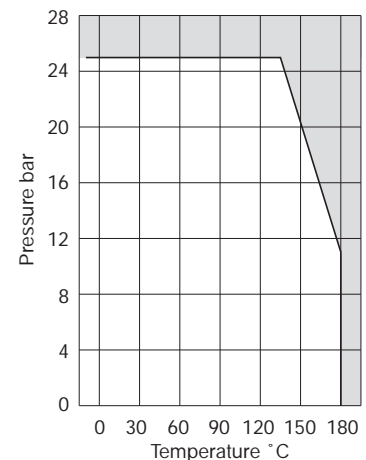
BS 5154  
25 bar -10 to 100°C  
10.5 bar at 186°C

**TEST PRESSURES**

Shell: 6 bar (pneumatic)  
Seat: 27.5 bar (hydraulic)

**SPECIFICATION**

BS 5154:1991.  
Bronze body.  
Horizontal swing pattern.  
Threaded cover.  
Taper threaded to BS EN 10226 ISO 7-1 (BS 21).



0813\_v3 Every effort has been made to ensure that the information contained in this publication is accurate at the time of publishing. Hattersley Ltd assumes no responsibility or liability for typographical errors or omissions or for any misinterpretation of the information within the publication and reserves the right to change without notice.